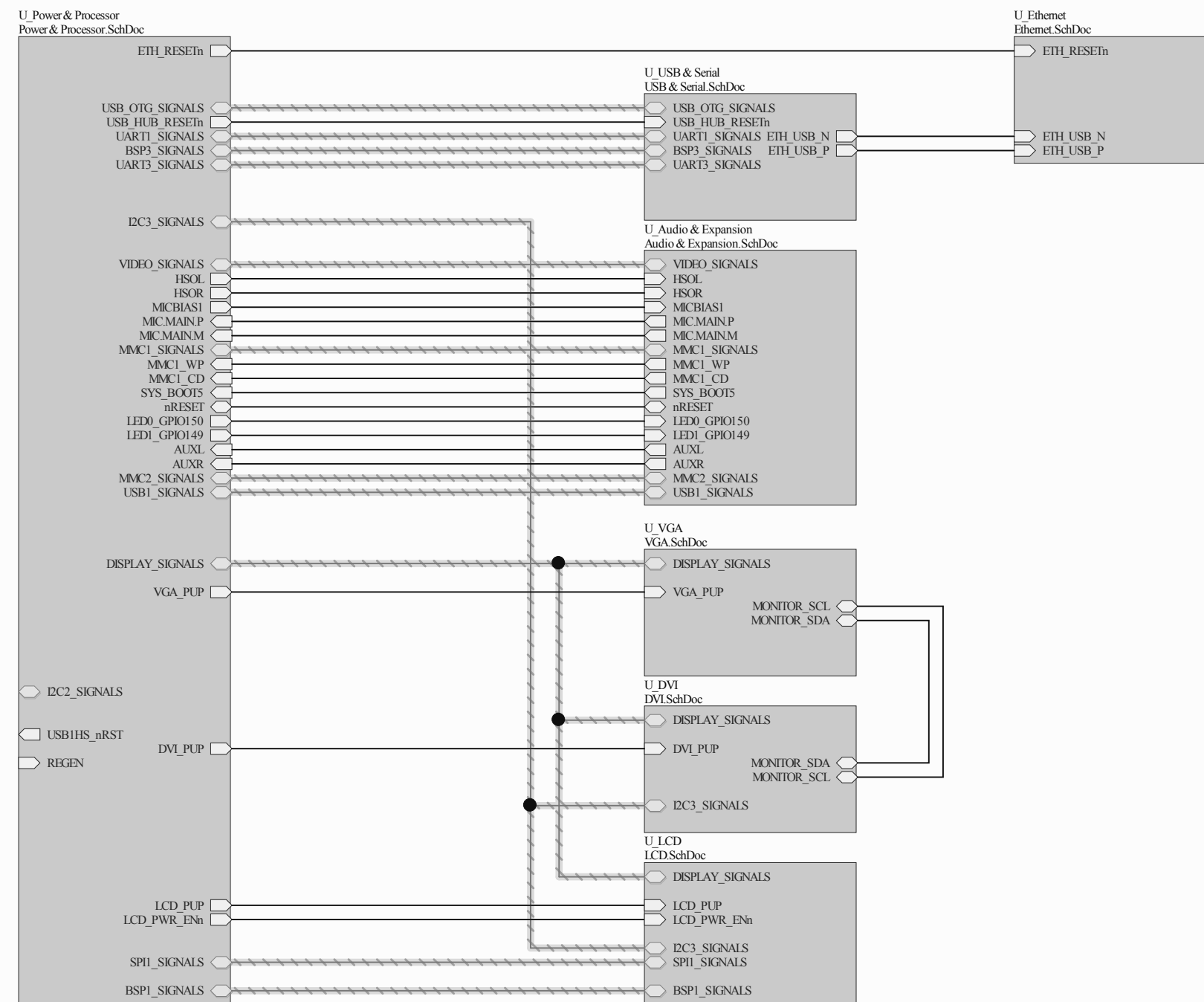


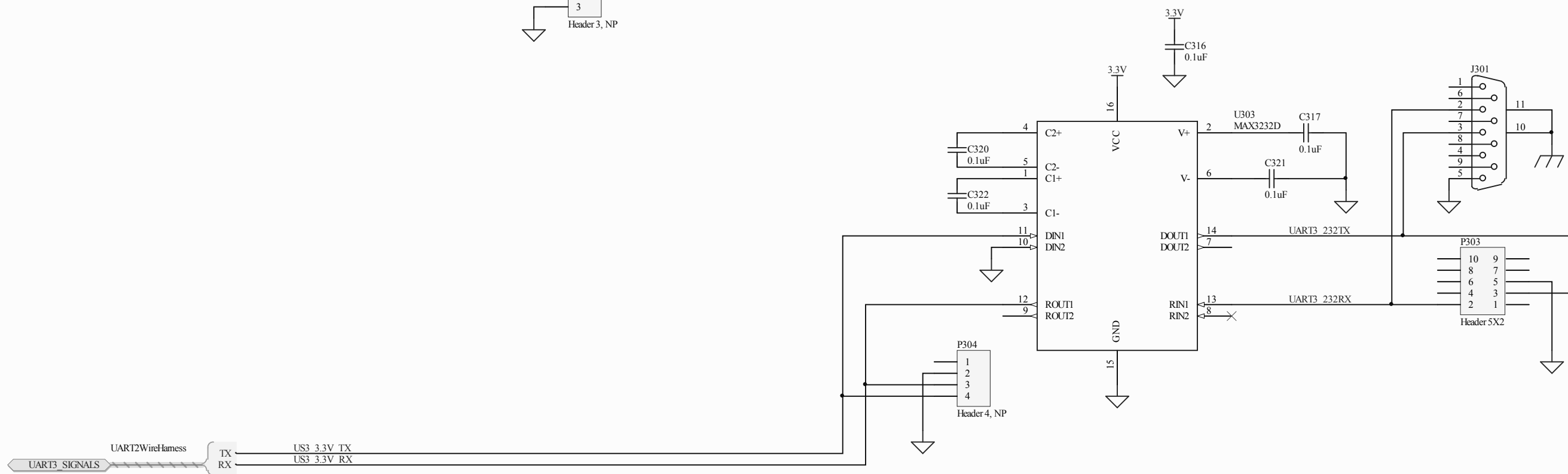
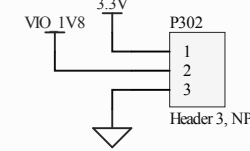
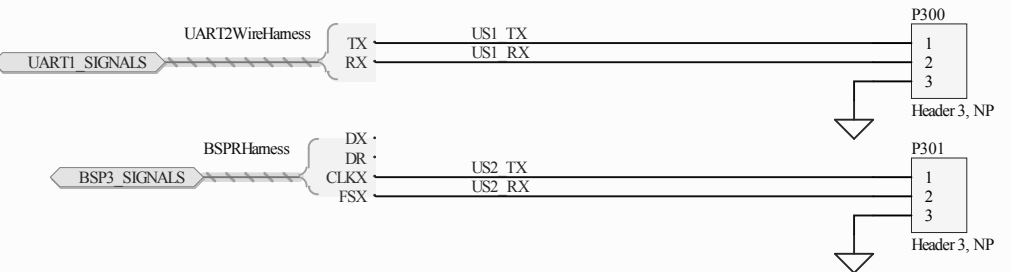
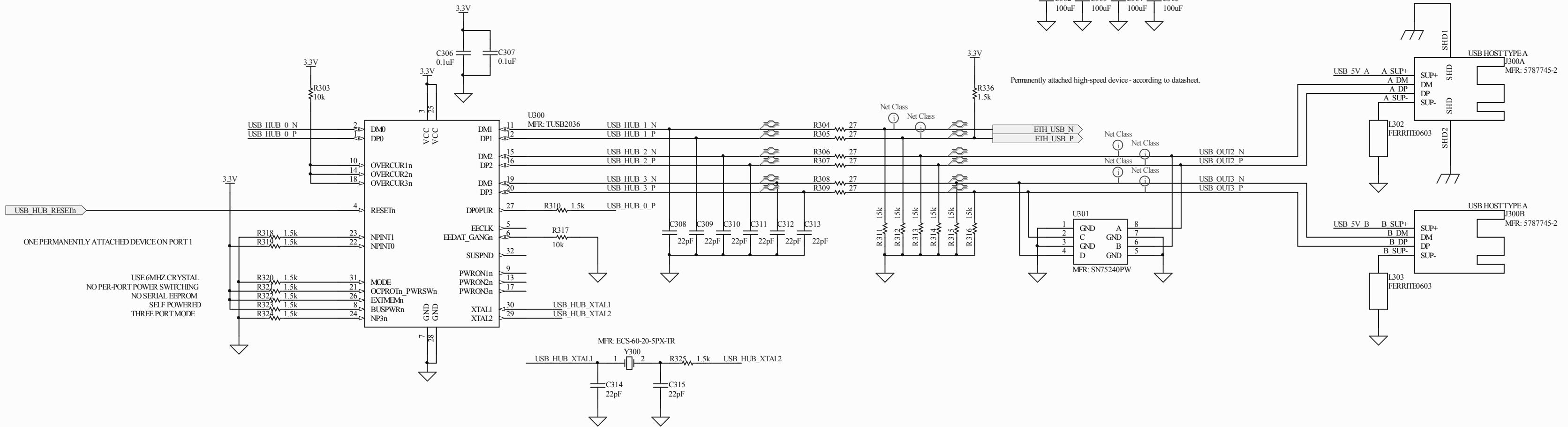
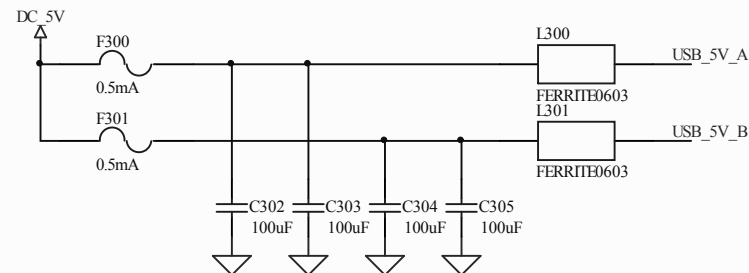
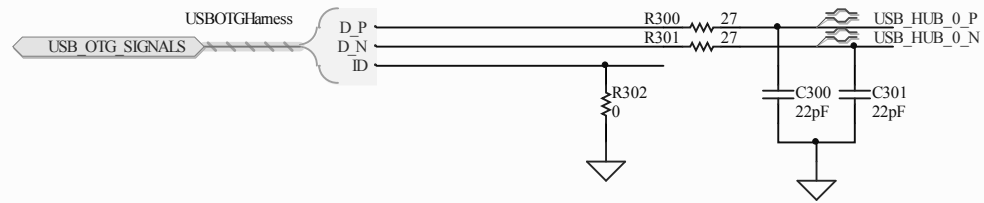
SHEET INDEX	SHEET DESCRIPTION
1	SignalMap - Top Level Design (This Page)
2	Power & Processor
3	USB & Serial
4	Ethernet
5	Audio & Expansion
6	DM
7	VGA
8	LCD

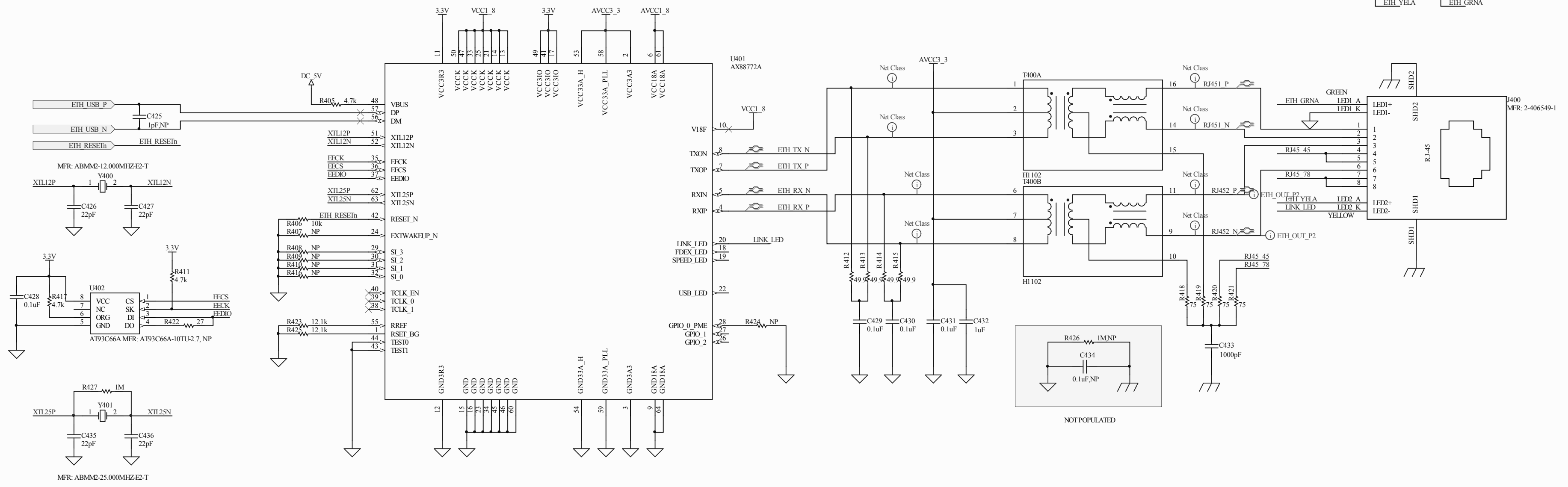
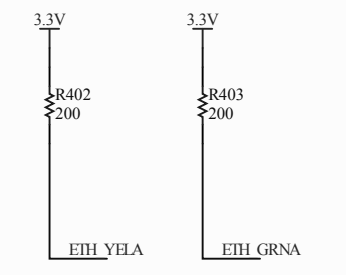
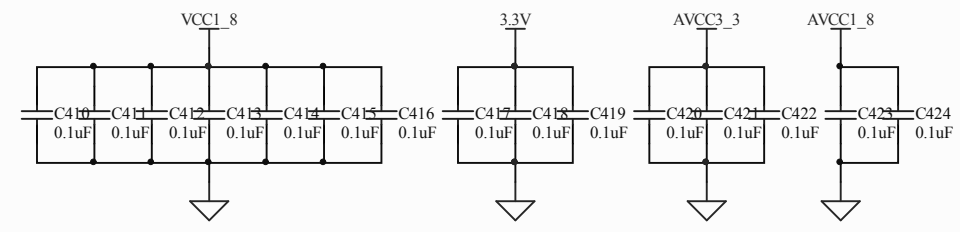
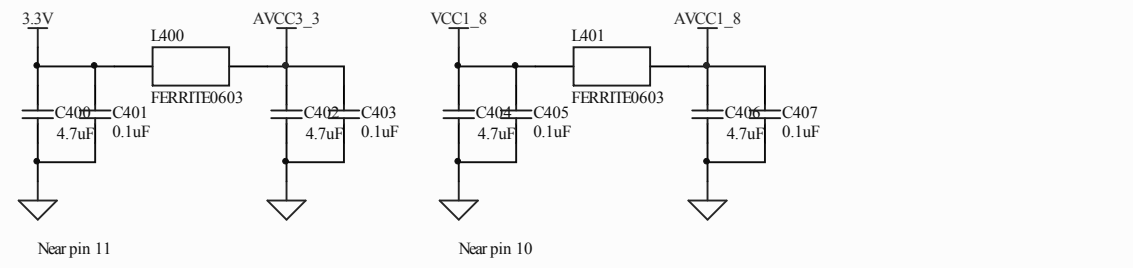
REVISION	DESCRIPTION	DATE
20090416-0.90	Initial creation	04/16/2009

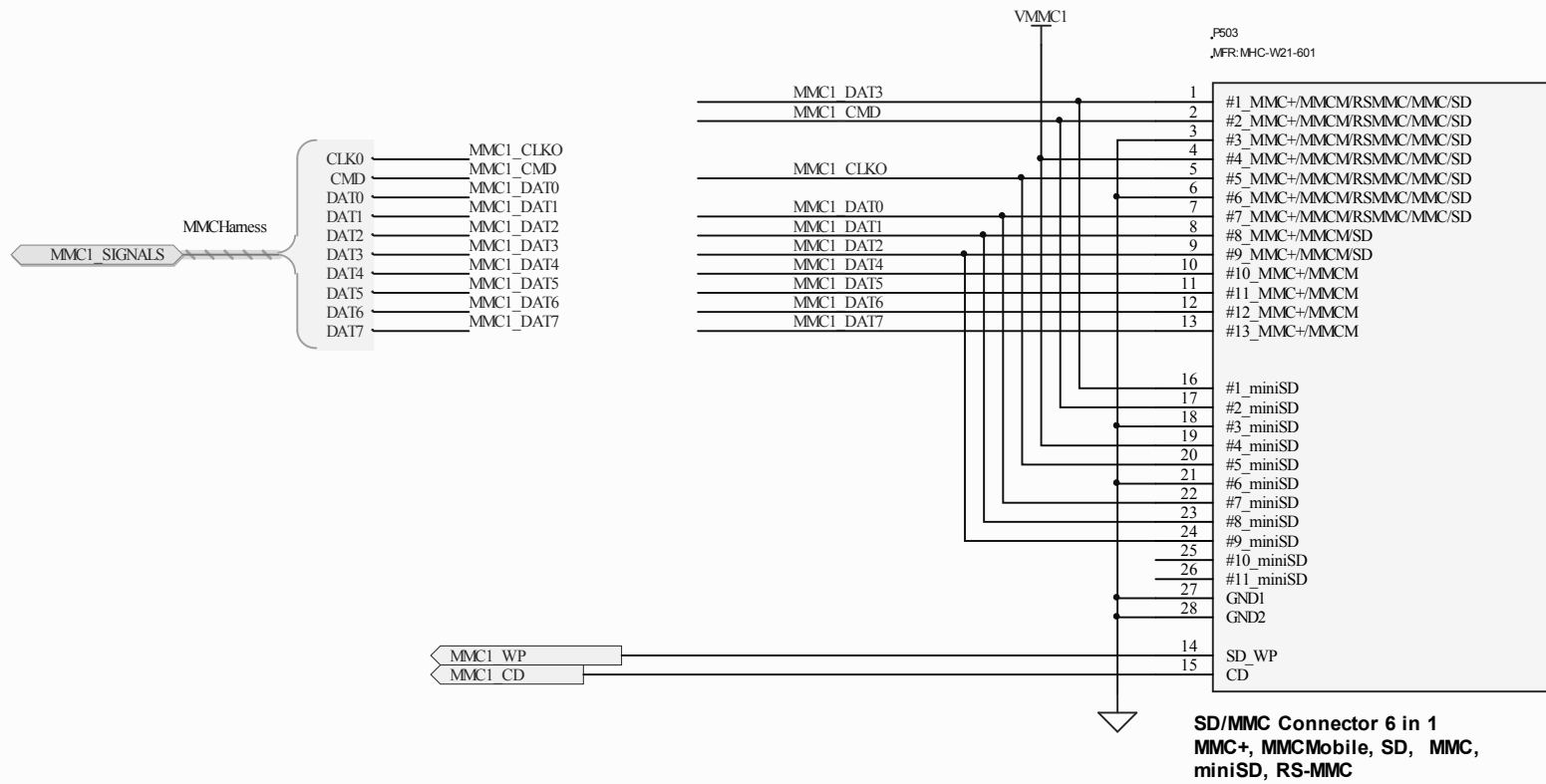
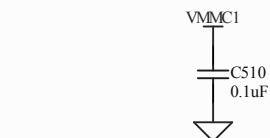
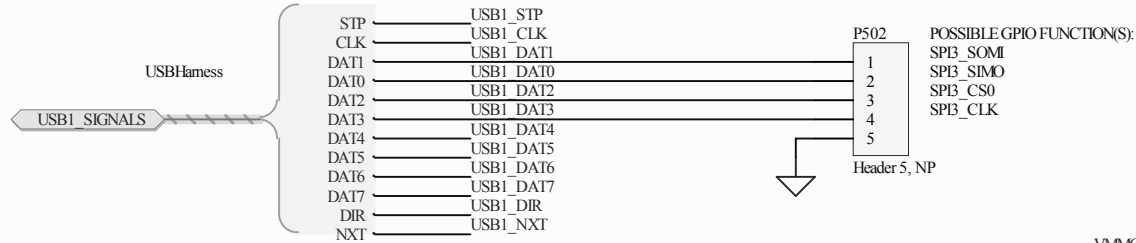
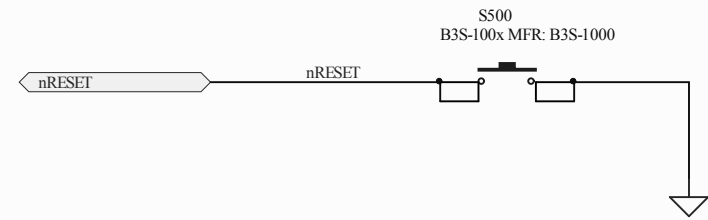
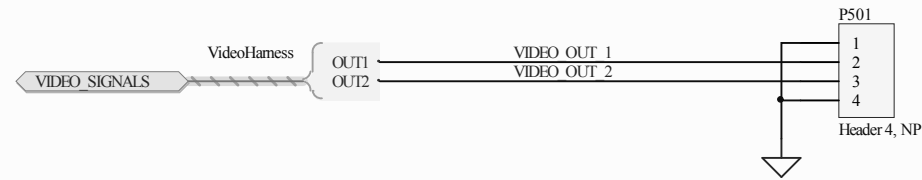
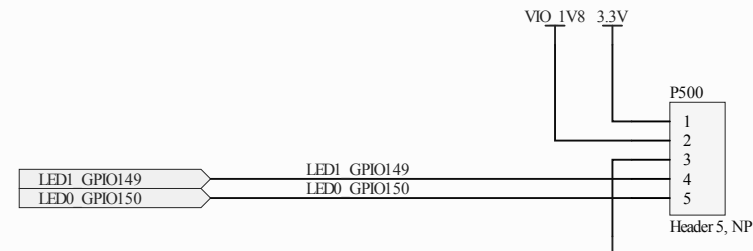




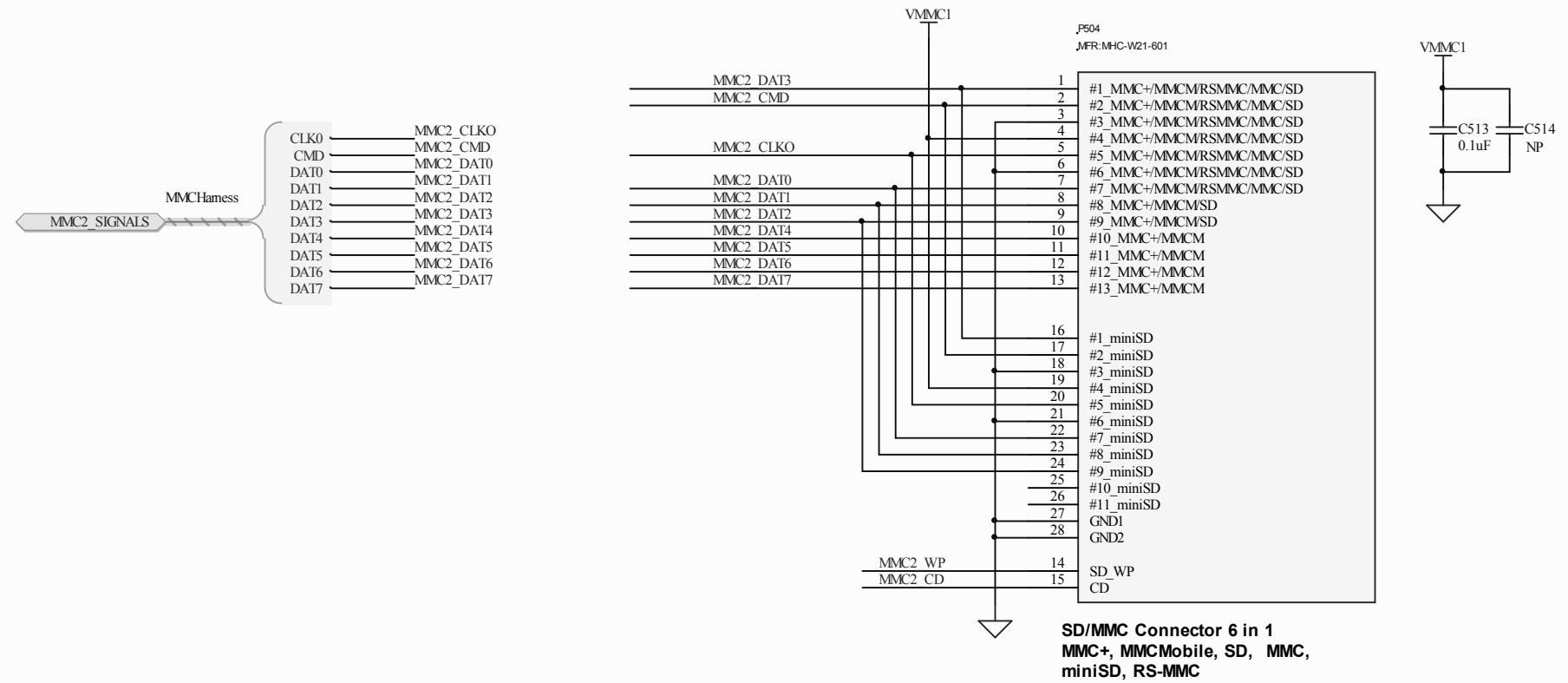
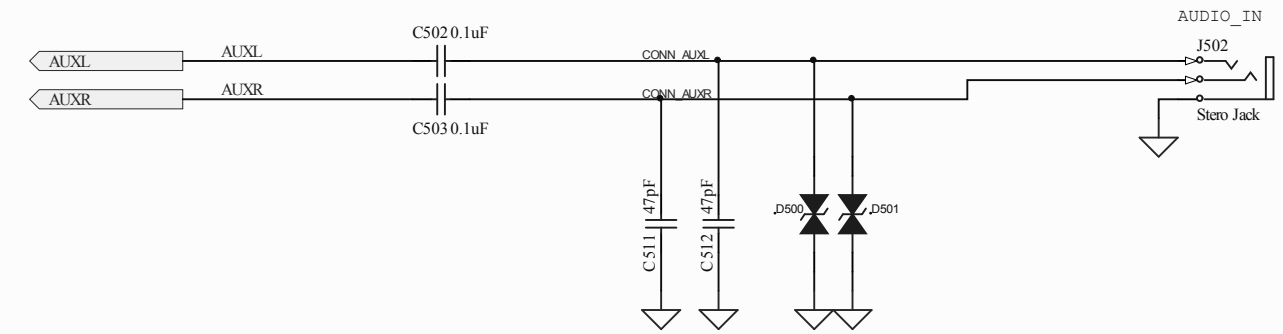
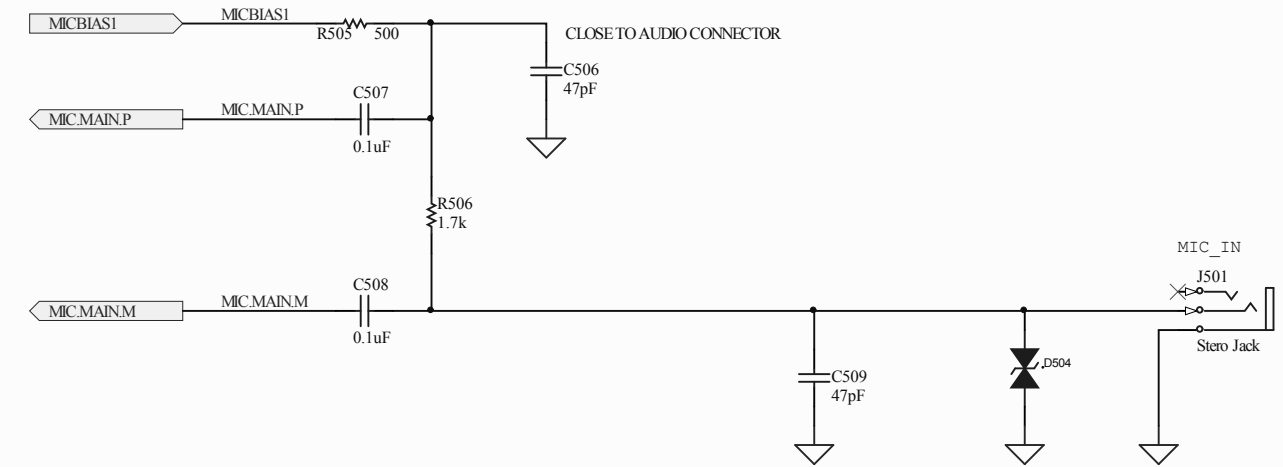
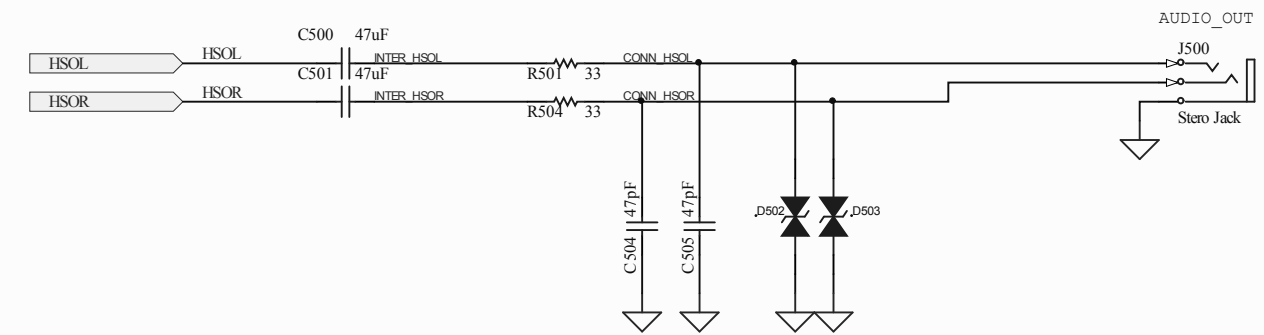
NO ESD REQUIRED DUE TO INTERNAL CONNECTION ONLY







SD/MMC Connector 6 in 1  
MMC+, MMCmobile, SD, MMC,  
miniSD, RS-MMC



SD/MMC Connector 6 in 1  
MMC+, MMCmobile, SD, MMC,  
miniSD, RS-MMC

NOT POPULATED

WARNING: IF USED, MUST BE SAME VOLTAGE AS SLOT 1 AND THE TOTAL MUST CONSUME LESS THAN 220mA

